

EXISTING FRONT FACADE ELEVATION

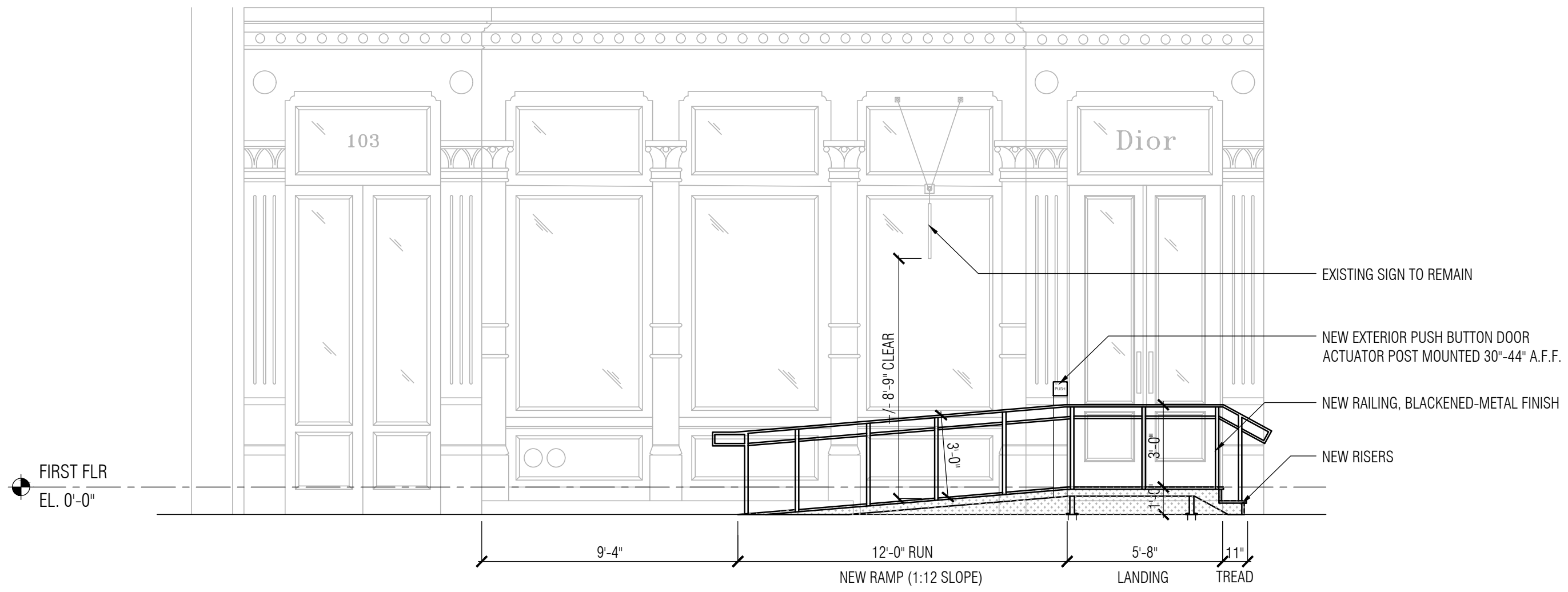
SCALE: 1/4"=1'-0"


MELTZER/COSTA
ARCHITECTS & ENGINEERS
175 GREAT NECK ROAD GREAT NECK, NEW YORK 11021
 TEL: (516) 829-0278 (212) 688-6194 FAX: (516) 829-1270
 MCARCH@MELTZERCOSTA.COM

PROJECT TITLE
101 GREENE STREET
AKA 105 GREENE STREET
NEW YORK, NY
LPC

DRAWING TITLE
EXIST. ELEVATION
 PROPOSED ACCESSIBLE
 ENTRANCE RAMP

LPC-005
 SHEET 5 OF 7
 DATE 05/18/2018



PROPOSED FRONT FACADE ELEVATION

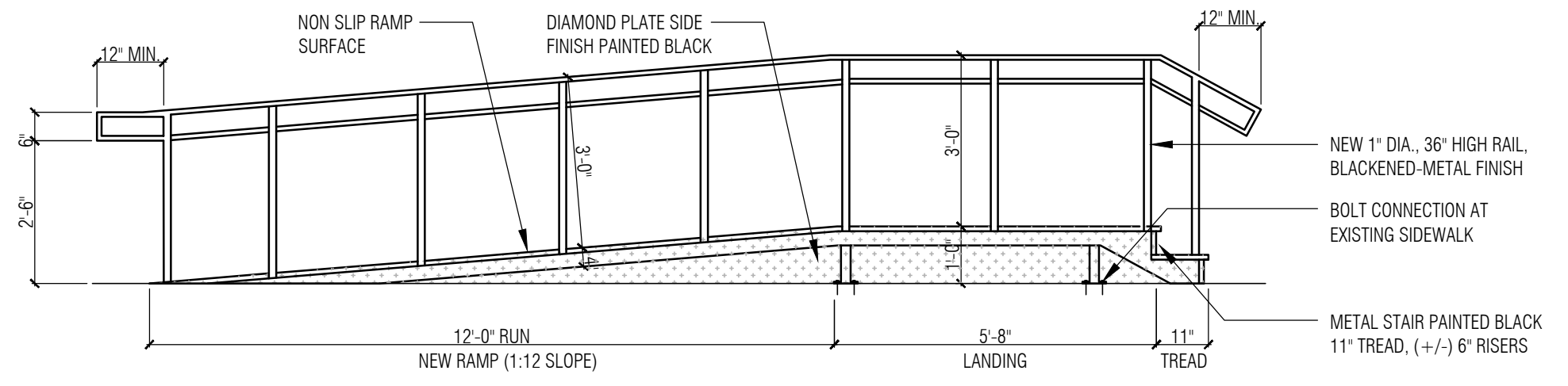
SCALE: 1/4"=1'-0"



PUSH BUTTON ACTUATOR



MATERIAL: DIAMOND PLATE FINISH



MELTZER/COSTA
ARCHITECTS & ENGINEERS
 175 GREAT NECK ROAD GREAT NECK, NEW YORK 11021
 TEL: (516) 829-0278 (212) 688-6194 FAX: (516) 829-1270
 MCARCH@MELTZERCOSTA.COM

PROJECT TITLE
101 GREENE STREET
AKA 105 GREENE STREET
NEW YORK, NY
LPC

DRAWING TITLE
PROP. ELEVATION
 PROPOSED ACCESSIBLE
 ENTRANCE RAMP

LPC-006
 SHEET 6 OF 7
 DATE 05/18/2018